

Netbook Depot, 12-unit

Secure your netbook computers and charge them at the same time.

A perfect storage solution for institutional laptop computers.



**Customer
Support
Information**

Order toll-free in the U.S.: Call 877-877-BBOX (outside U.S. call 724-746-5500)
FREE technical support 24 hours a day, 7 days a week: Call 724-746-5500 or fax
724-746-0746 • Mailing address: Black Box Corporation, 1000 Park Drive, Lawrence,
PA 15055-1018 • Web site: www.blackbox.com • E-mail: info@blackbox.com

Trademarks

Trademarks Used In This Manual

Black Box and the Double Diamond logo are registered trademarks of BB Technologies, Inc.

The Netbook Depot design is patent pending.

Any other trademarks mentioned in this manual are acknowledged to be the property of the trademark owners.

Table of Contents

1.0 Overview 4
 1.1 Description 4

2.0 What's Included 5

3.0 Components of the Netbook Depot 6

4.0 Operating Instructions 7
 4.1 Using your Netbook Depot..... 8
 4.2 Locking your Netbook Depot..... 8
 4.3 Loading Netbook Computers into the Netbook Depot..... 8
 4.4 Charging your Netbook Computers..... 9
 4.5 Storing your Netbook Depot 9

Chapter 1: Specifications

1.0 Overview

The Netbook Depot Owner's Manual contains information that you should be aware of to promote safe use of the Netbook Depot in your workplace and/or learning environment.

1.1 Description

The Netbook Depot is designed to secure, store, and charge netbook computers, tablets, and other similar devices in one central location.

The 12-capacity unit has 12 storage bays with a 120 VAC receptacle for each bay.

2.0 What's Included

- Netbook Depot
- Casters (cart models only)
- Drawer base (cart models only)
- Laminate top (cart models only)
- Power strip
- Set of keys
- This user's manual

3.0 Components of the Netbook Depot

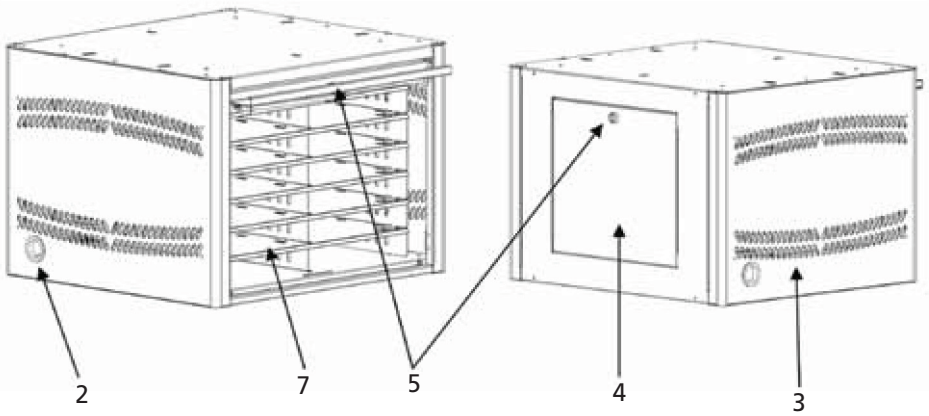


Figure 3-1. Front and side views.

1. Drawer base (cart models only—not pictured)
2. Grommet for cable management (located on both sides)
3. Ventilation
4. Rear panel
5. Key lock
6. Power strip (not pictured)
7. Power management shelf
8. Laminate top (cart models only—not pictured)
9. Casters (cart models only—not pictured)

4.0 Operating Instructions

READ ALL INSTRUCTIONS prior to using the Netbook Depot.

- The Netbook Depot must ONLY be connected to a 120 VAC 15- or 20-amp power supply. The Netbook Depot must always be used by adults or with adult supervision.
- Do not plug the NetbBook Depot in if the receptacle(s) or power cord have been damaged. All electrical components on this product must be repaired by a qualified electrician.
- Inadequate repair can create significant hazards to users and is not covered by warranty.
- Do not use an extension cord in conjunction with the Netbook Depot.
- NO LIQUIDS in or around the Netbook Depot environment.
- For your safety, it is recommended that a qualified electrician test the circuit you will be plugging the Netbook Depot into. The circuit should be checked for ground integrity and appropriate branch circuit protection.
- The Netbook Depot ground prong must be present for safe operation. If the plug is damaged or if the ground prong has been removed, it should be replaced by a qualified electrician.
- The use of the Netbook Depot including plugging or unplugging netbooks and plugging or unplugging the Netbook Depot must be done with adult supervision.
- The Netbook Depot should only be used for the storage and charging of netbooks and other similar devices.
- Misuse, incorrect operation, or inadequate repair of the Netbook Depot will void the warranty.

Chapter 4: Operating Instructions

4.1 Using your Netbook Depot

Once the netbook is placed in the unit, run the adapter end of the power cord through the grommet at the back of the unit and through the cable management cut-out on the back of the shelves. Then plug the cable into the netbook and plug the power supply into an approved outlet.

4.2 Locking your Netbook Depot

- Remove all packaging materials. Please do not discard until setup is complete and everything has been deemed acceptable.
- Open and inspect the Netbook Depot to verify all doors and locks are operating properly.
- Do not plug the Netbook Depot into a wall outlet until all configurations and setup are complete.
- Feed the cord from the power strip through the grommet hole on the side nearest to the wall outlet.

4.3 Loading Netbook Computers into the Netbook Depot

- Unlock the door via the key lock.
- Slide the door up and into the unit.
- Load one netbook into each storage bay.
- Insert the power cord hanging from the front of the divider into the netbook stowed in each bay
- Pull out the door then pull it down and lock it with the provided key.

4.4 Charging your Netbook Computers

- After the netbooks have been loaded into the Netbook Depot as described previously, plug the power cords of the Netbook Depot into a suitable receptacle.
- Once the power cord is plugged into the wall outlet, the netbooks will begin charging.
- Unplug the power cord from the wall to end charging.

4.5 Storing your Netbook Depot

- Close the door and lock it with the key lock.

Black Box Tech Support: FREE! Live. 24/7.

Tech support the
way it should be.



Great tech support is just 30 seconds away at
724-746-5500 or blackbox.com.



About Black Box

Black Box Network Services is your source for an extensive range of networking and infrastructure products. You'll find everything from cabinets and racks and power and surge protection products to media converters and Ethernet switches all supported by free, live 24/7 Tech support available in 30 seconds or less.

© Copyright 2012. Black Box Corporation. All rights reserved.

NBDEP-12, rev. 1

724-746-5500 | blackbox.com